

# HOISTS

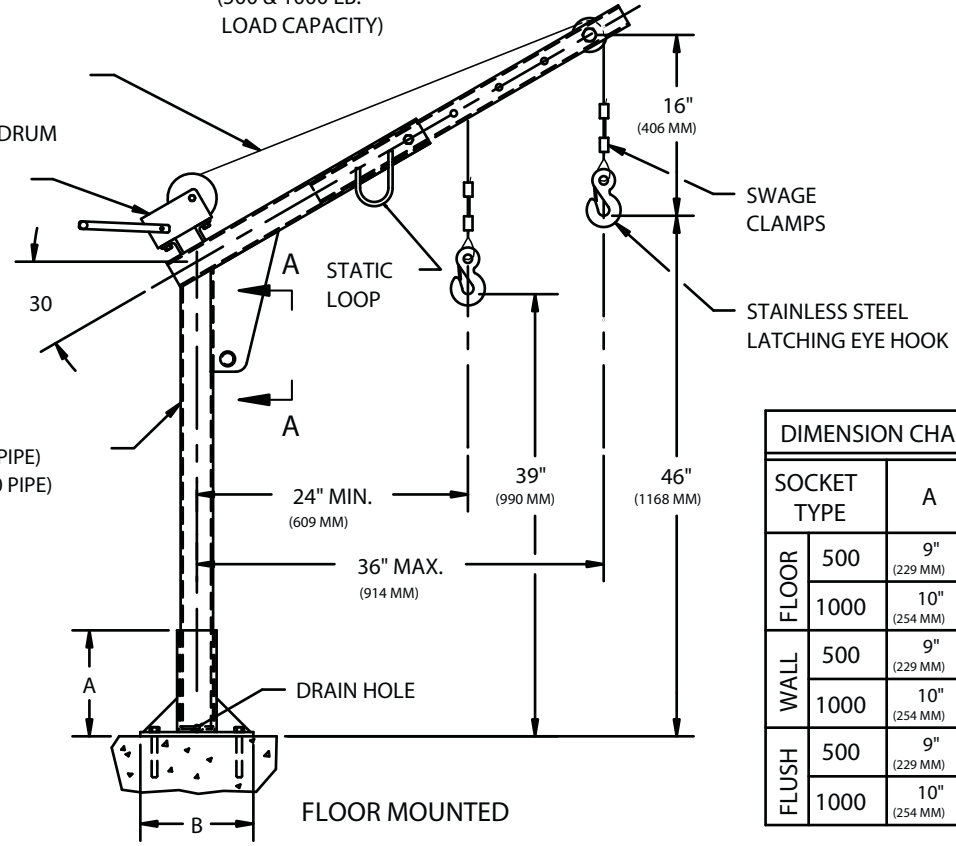
(500 & 1000 LB. LOAD CAPACITY)

STAINLESS STEEL CABLE  
30 FT. (9137 MM) LG. WITH  
QUICK CONNECTION TO DRUM

ZINC PLATED WINCH  
WITH DISC BRAKE

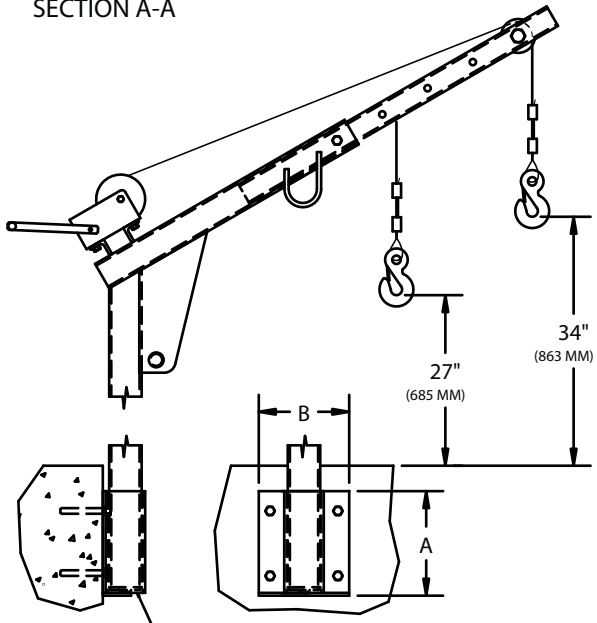
500 LB. HOIST (2 1/2 SCH. 40 PIPE)  
1000 LB. HOIST (3 1/2 SCH. 40 PIPE)

3/4 SCH. 40 PIPE HANDLE  
WITH BLACK VINYL GRIP  
FOR ROTATING HOIST

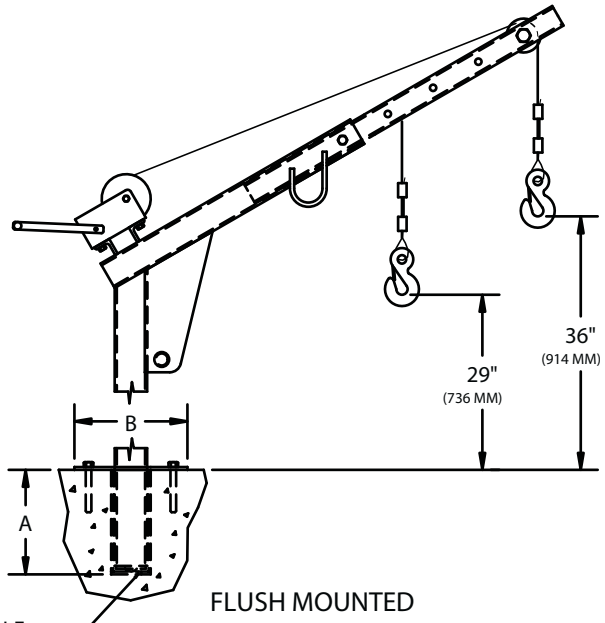


DIMENSION CHART			
SOCKET TYPE		A	B
FLOOR	500	9" (229 MM)	10" (254 MM)
	1000	10" (254 MM)	11" (279 MM)
WALL	500	9" (229 MM)	8" (203 MM)
	1000	10" (254 MM)	10" (254 MM)
FLUSH	500	9" (229 MM)	10" (254 MM)
	1000	10" (254 MM)	10" (254 MM)

SECTION A-A



WALL MOUNTED



FLUSH MOUNTED

- NOTES:**
- MATERIAL: STEEL WITH STAINLESS STEEL CABLE, HOOK, CLAMPS, NUTS & BOLTS.
  - FINISH: HOT DIP GALVANIZED AFTER FABRICATION.
  - LOAD CAPACITY: 500 LB. (227 KG.), 1000 LB. (454 KG.)
  - CUSTOM SIZES ALSO AVAILABLE

PORTABLE HOIST	<input type="checkbox"/> 500 LB.
	<input type="checkbox"/> 1000 LB.
OPTIONAL FEATURES:	
<input type="checkbox"/> FLOOR MOUNTED	<input type="checkbox"/> 304 STAINLESS STEEL
<input type="checkbox"/> FLUSH MOUNTED	<input type="checkbox"/> 316 STAINLESS STEEL
<input type="checkbox"/> WALL MOUNTED	