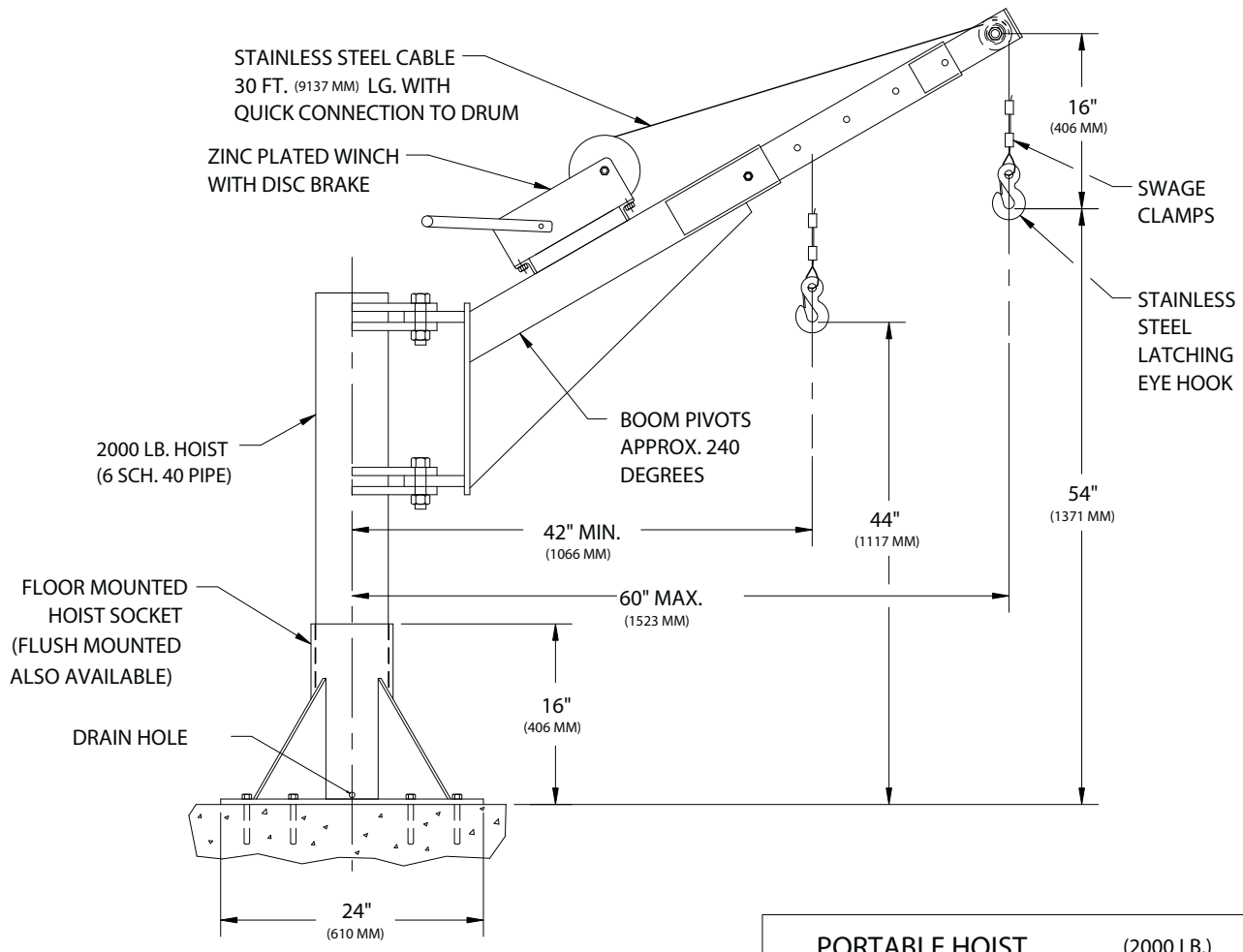


HOISTS

(2000 LB. LOAD CAPACITY)



- NOTES:**
- MATERIAL: STEEL WITH STAINLESS STEEL CABLE, HOOK, CLAMPS, BOLTS & NUTS.
 - FINISH: HOT DIP GALVANIZED AFTER FABRICATION.
 - LOAD CAPACITY: 2000 LB. (908 KG.)
 - CUSTOM SIZES ALSO AVAILABLE

PORTABLE HOIST		(2000 LB.)
OPTIONAL FEATURES:		
<input type="checkbox"/> FLOOR MOUNTED	<input type="checkbox"/> 304 STAINLESS STEEL	
<input type="checkbox"/> FLUSH MOUNTED	<input type="checkbox"/> 316 STAINLESS STEEL	

NUT RAIL

The sliding nut in our nut rail option makes it easy to hang and align all your hardware.

