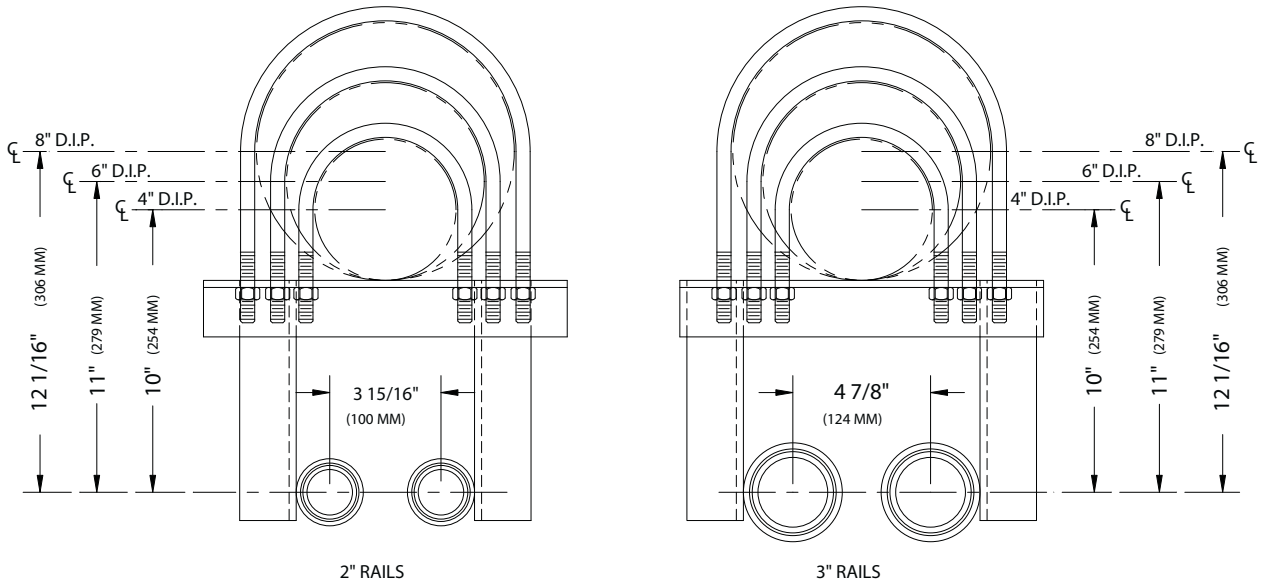


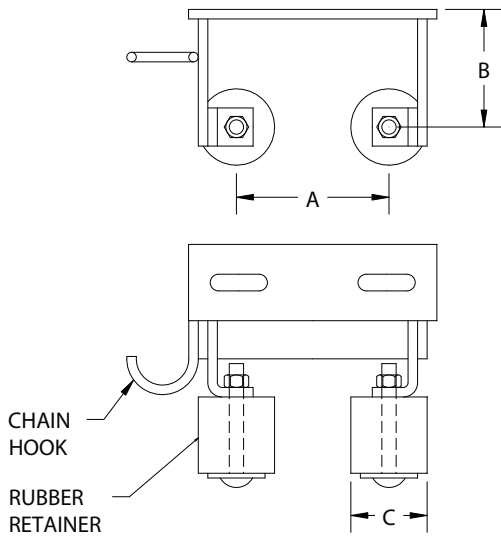
# GUIDE RAIL BRACKETS

U.S.F. Fabrication makes guide rail brackets to specific dimensions to match all pump manufacturers.

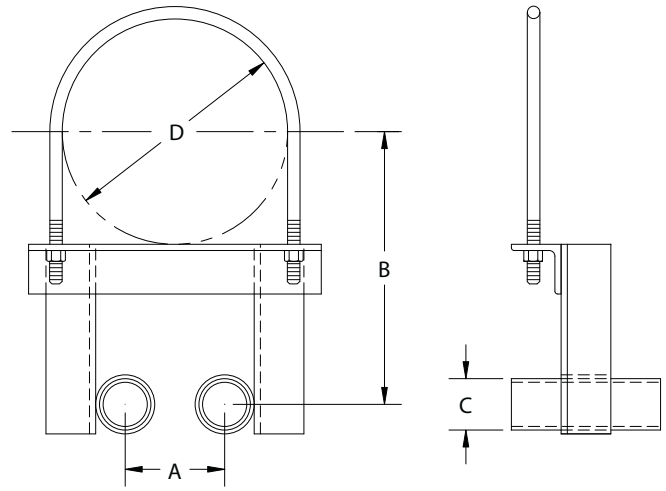


## UNIVERSAL INTERMEDIATE GUIDE RAIL BRACKET

Our Universal brackets are designed to fit 4", 6" or 8" ductile iron pipes. They are available in stainless steel for 2" or 3" pump guide rails.



**DOUBLE UPPER  
GUIDE RAIL BRACKET**



**INTERMEDIATE  
GUIDE RAIL BRACKET**

**GUIDE RAIL BRACKET:**

- SINGLE UPPER
- DOUBLE UPPER
- INTERMEDIATE

**MATERIAL:**

- STAINLESS STEEL 304
- STAINLESS STEEL 316
- OTHER \_\_\_\_\_

**DIMENSIONS:**

A= \_\_\_\_\_ C= \_\_\_\_\_  
(GIVE PIPE SIZE)

B= \_\_\_\_\_ D= \_\_\_\_\_  
(GIVE PIPE SIZE)