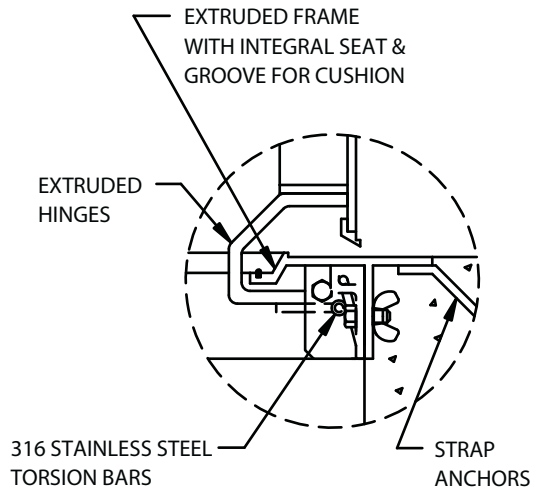
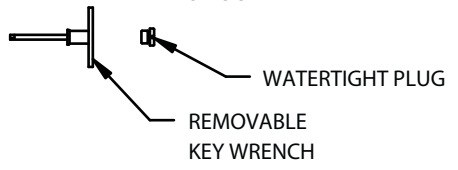
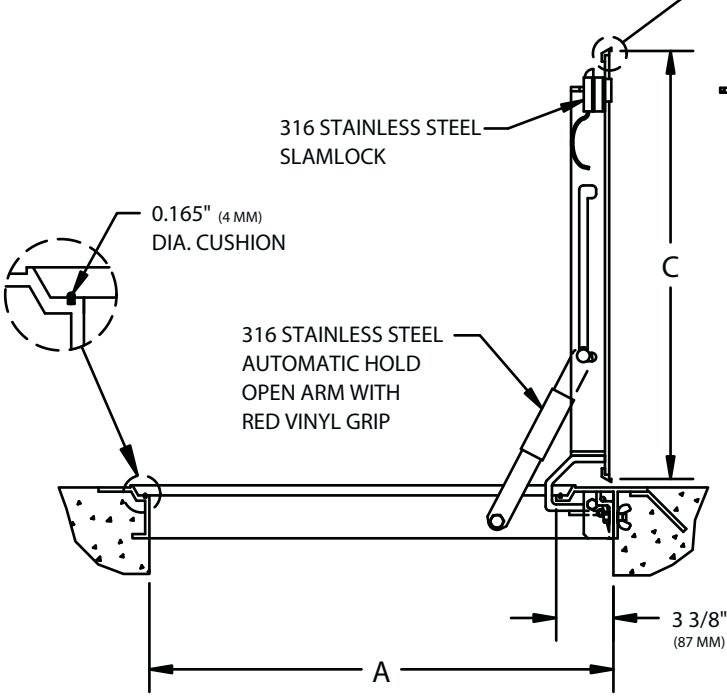
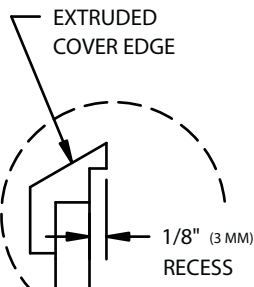
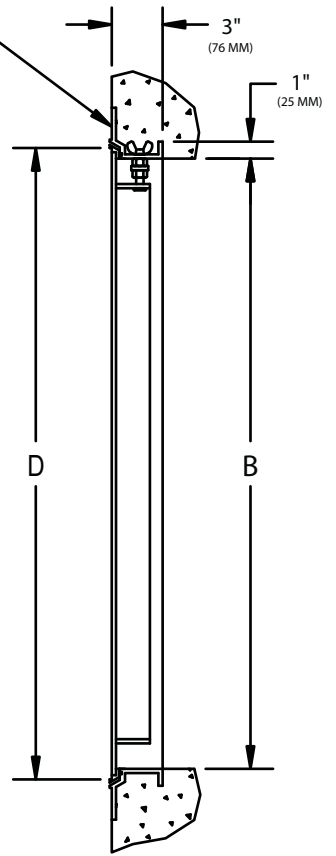


EXTRUDED FRAME WITH INTEGRAL SEAT, CONTINUOUS ANCHOR FLANGE & GROOVE FOR CUSHION (TYPICAL 3 SIDES)



**NOTE:**  
 -MATERIAL: ALUMINUM WITH 316 STAINLESS STEEL NUTS & BOLTS, SLAMLOCK, TORSION BARS & HOLD OPEN ARM.  
 -LOADING: 150 LBS. PER SQ. FT. (732 KG. PER SQ. M)  
 -BITUMINOUS COATING IS APPLIED TO AREA OF FRAME IN CONTACT WITH CONCRETE.

U.S.F. FABRICATION, INC. HIALEAH, FLORIDA		
R-APS	X	
(C)	(D)	