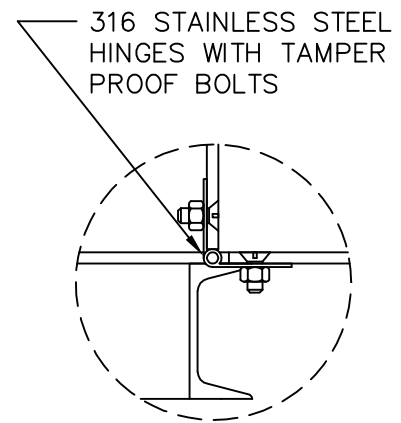
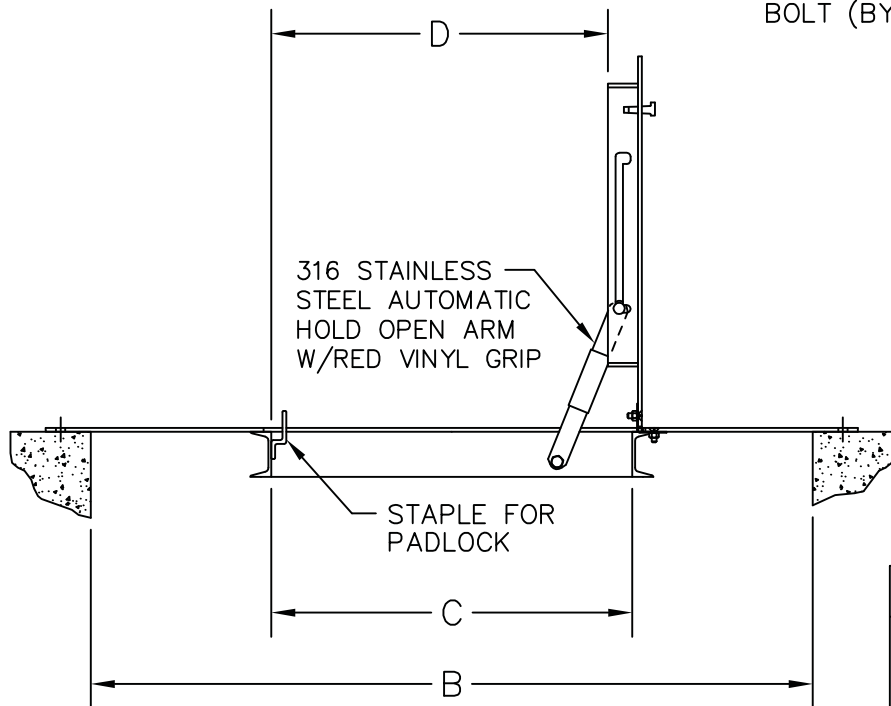


(6) 5/8" (16 MM) DIA. MOUNTING HOLE FOR (6) 1/2" (13 MM) DIA. ANCHOR BOLT (BY OTHERS)



OPTIONAL FEATURES	
<input type="checkbox"/>	S.S. HORIZONTAL SPRINGS
<input type="checkbox"/>	S.S. SLAMLOCK
<input type="checkbox"/>	BITUMINOUS PAINT ON AREA IN CONTACT WITH CONCRETE
<input type="checkbox"/>	OTHERS: _____
U.S.F. FABRICATION, INC. HIALEAH, FLORIDA	
BPS _____ (B)	

**NOTE:**  
 -MATERIAL: ALUMINUM WITH 316 STAINLESS STEEL NUTS & BOLTS, HINGES, AND HOLD OPEN ARM.  
 -LOADING: 300 LBS. PER SQ. FOOT. (1464 KG. PER SQ. M)