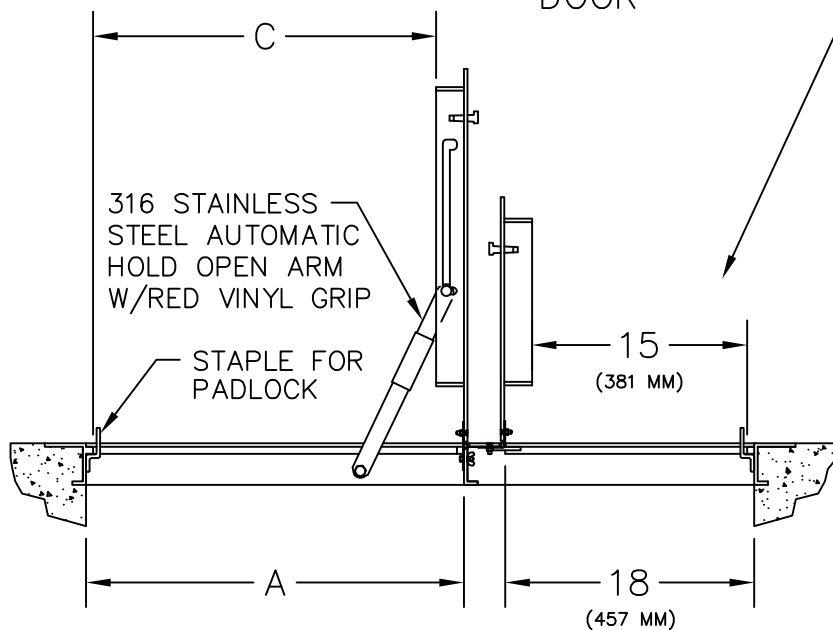
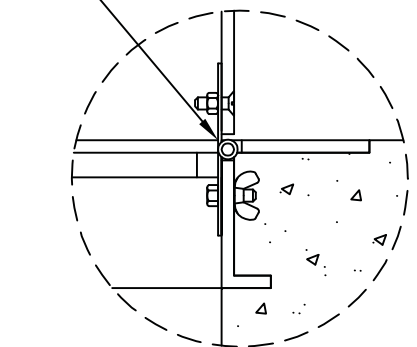


TRASH ACCESS DOOR



316 STAINLESS STEEL HINGES WITH TAMPER PROOF BOLTS



OPTIONAL FEATURES

- S.S. HORIZONTAL SPRINGS
- S.S. SLAMLOCK
- BITUMINOUS PAINT ON AREA IN CONTACT WITH CONCRETE
- OTHERS: _____

U.S.F. FABRICATION, INC.
HIALEAH, FLORIDA

APS 300 X _____
(LOADING) (A) (B)
WITH TRASH ACCESS DOOR

NOTE:

- MATERIAL: ALUMINUM WITH 316 STAINLESS STEEL NUTS & BOLTS, HINGES, AND HOLD OPEN ARM.
- LOADING: 300 LBS. PER SQ. FOOT. (1464 KG. PER SQ. M)