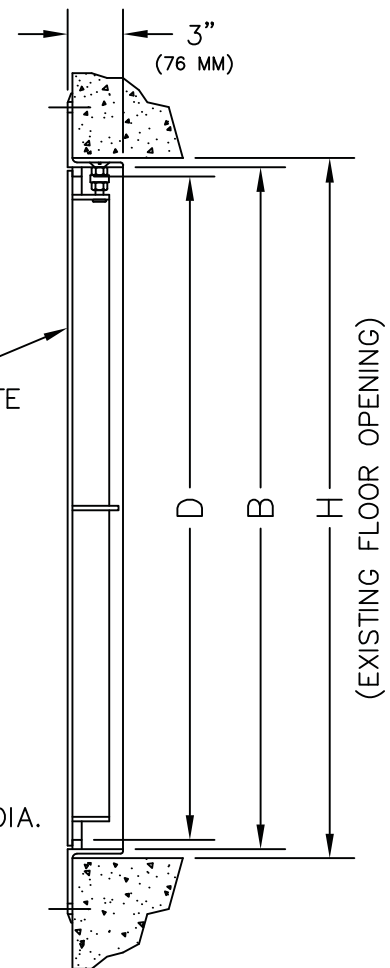
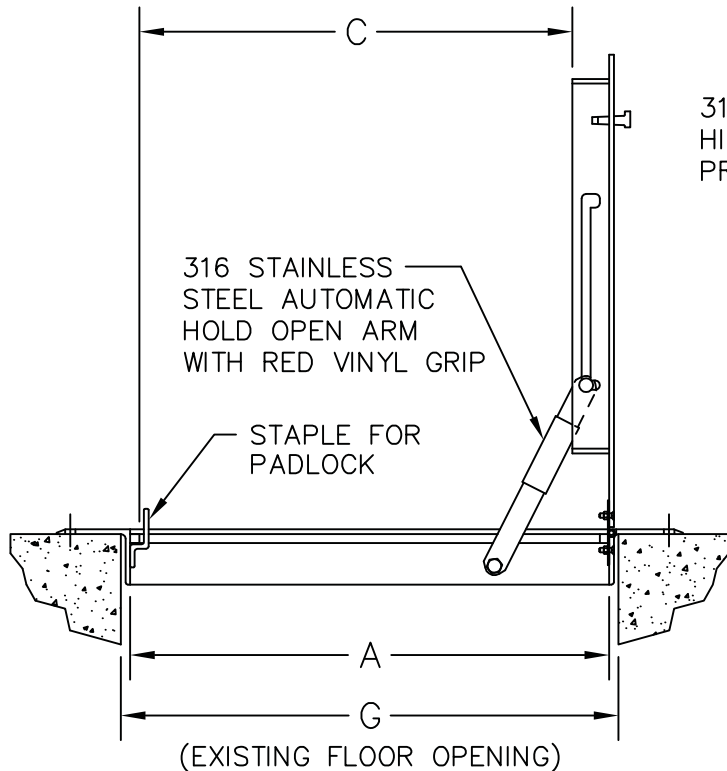


1/4" (6 MM) DIAMOND PLATE

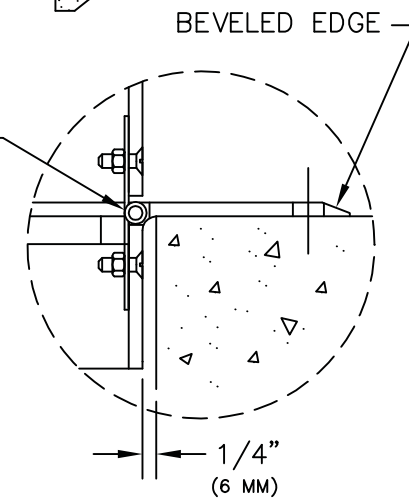
9/16" (14 MM) DIA. MOUNTING HOLES FOR 1/2" (13 MM) DIA. ANCHOR BOLTS (BY OTHERS)



(EXISTING FLOOR OPENING)



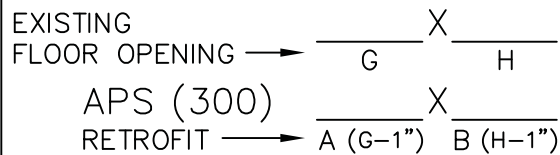
316 STAINLESS STEEL HINGES WITH TAMPER PROOF BOLTS



OPTIONAL FEATURES

- S.S. HORIZONTAL SPRINGS
- S.S. SLAMLOCK
- BITUMINOUS PAINT ON AREA IN CONTACT WITH CONCRETE
- OTHERS: _____

U.S.F. FABRICATION, INC.
HIALEAH, FLORIDA



NOTE:

- MATERIAL: ALUMINUM WITH 316 STAINLESS STEEL NUTS & BOLTS, HINGES, AND HOLD OPEN ARM.
- LOADING: 300 LBS. PER SQ. FOOT. (1464 KG. PER SQ. M)