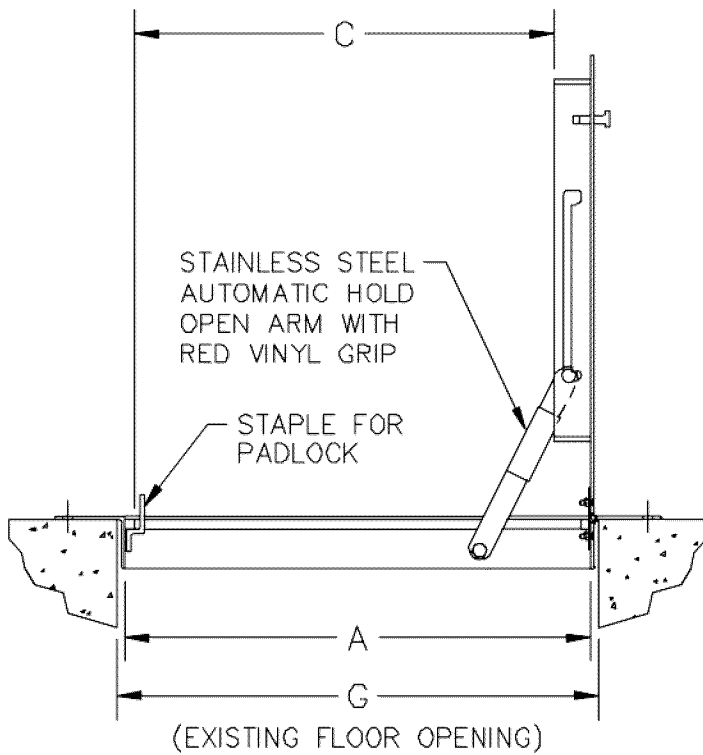
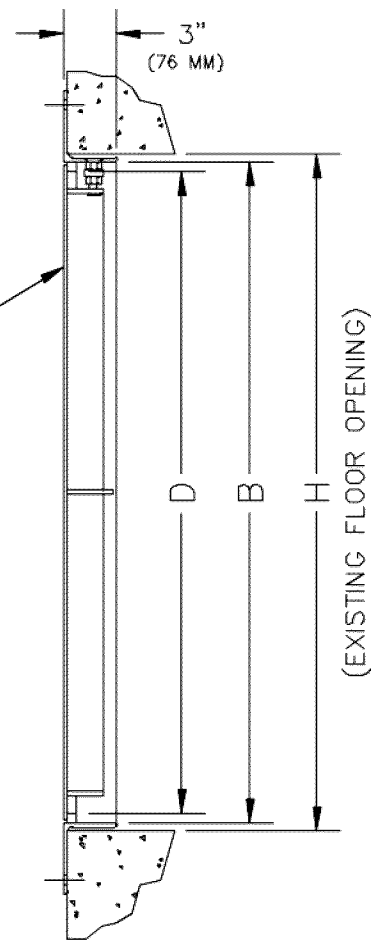
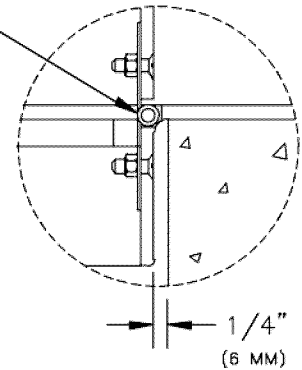


(6 MM)
1/4" DIAMOND
PLATE

9/16" (14 MM) DIA.
MOUNTING HOLES

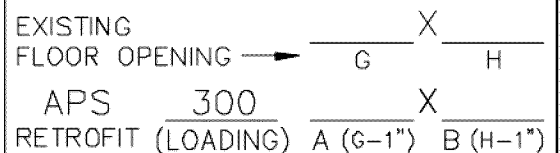


STAINLESS STEEL
HINGES WITH TAMPER
PROOF BOLTS



THIS DRAWING IS THE SOLE PROPERTY
OF U.S.F. FABRICATION, INC. AND IS
FOR ILLUSTRATIVE PURPOSES ONLY

U.S.F. FABRICATION, INC.
HIALEAH, FLORIDA



NOTES:

- 1- MATERIAL: STEEL
- 2- LOADING: 300 LBS. PER SQ. FOOT
(1464 KG. PER SQ. M)
- 3- 316 STAINLESS STEEL HARDWARE,
HINGES AND HOLD OPEN ARM