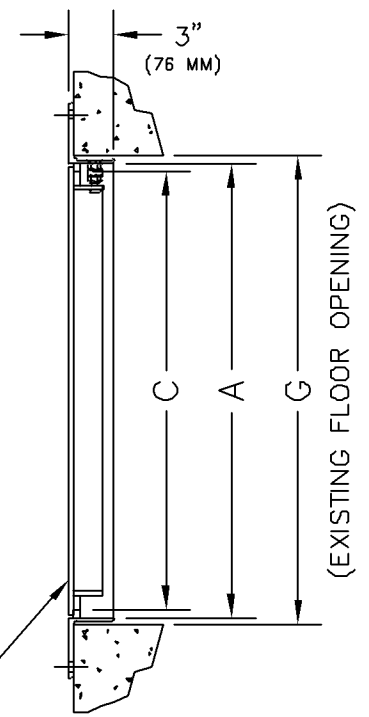


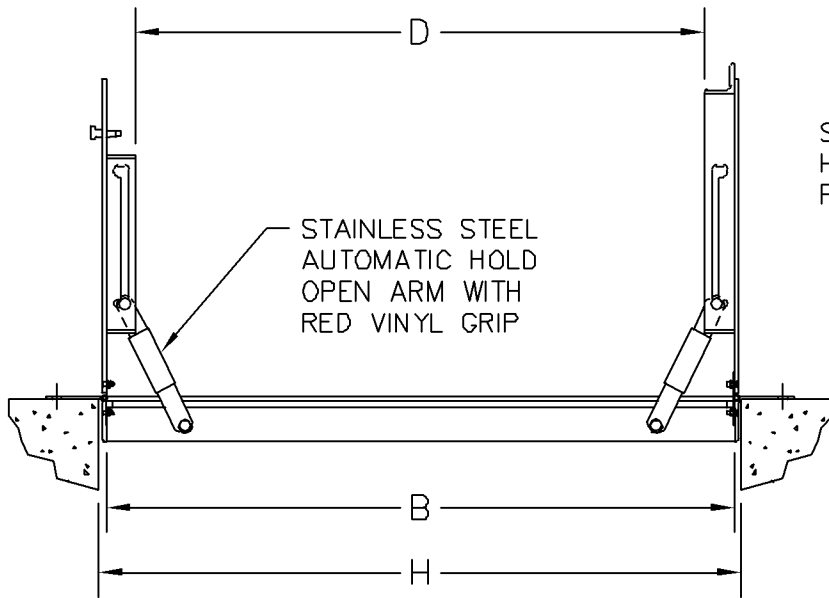
STAPLE FOR  
PADLOCK

9/16" (14 MM)  
DIA. MOUNTING  
HOLES



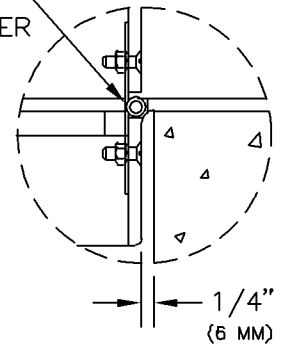
1/4" DIAMOND PLATE  
(6 MM)

(EXISTING FLOOR OPENING)



(EXISTING FLOOR OPENING)

STAINLESS STEEL  
HINGES WITH TAMPER  
PROOF BOLTS



1/4"  
(6 MM)

**NOTES:**

- 1- MATERIAL: STEEL
- 2- LOADING: 300 LBS. PER SQ. FOOT  
(1464 KG. PER SQ. M)
- 3- 316 STAINLESS STEEL HARDWARE,  
HINGES AND HOLD OPEN ARM

THIS DRAWING IS THE SOLE PROPERTY  
OF U.S.F. FABRICATION, INC. AND IS  
FOR ILLUSTRATIVE PURPOSES ONLY

U.S.F. FABRICATION, INC.  
HIALEAH, FLORIDA

