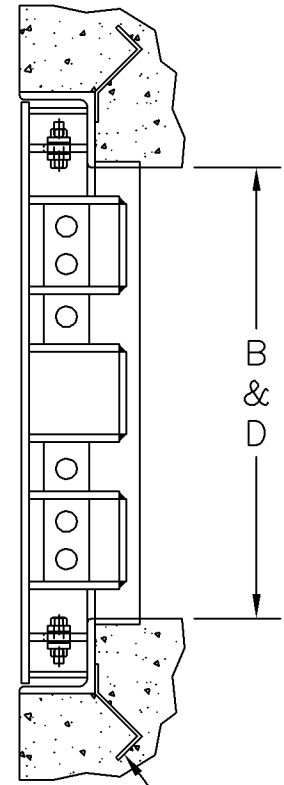
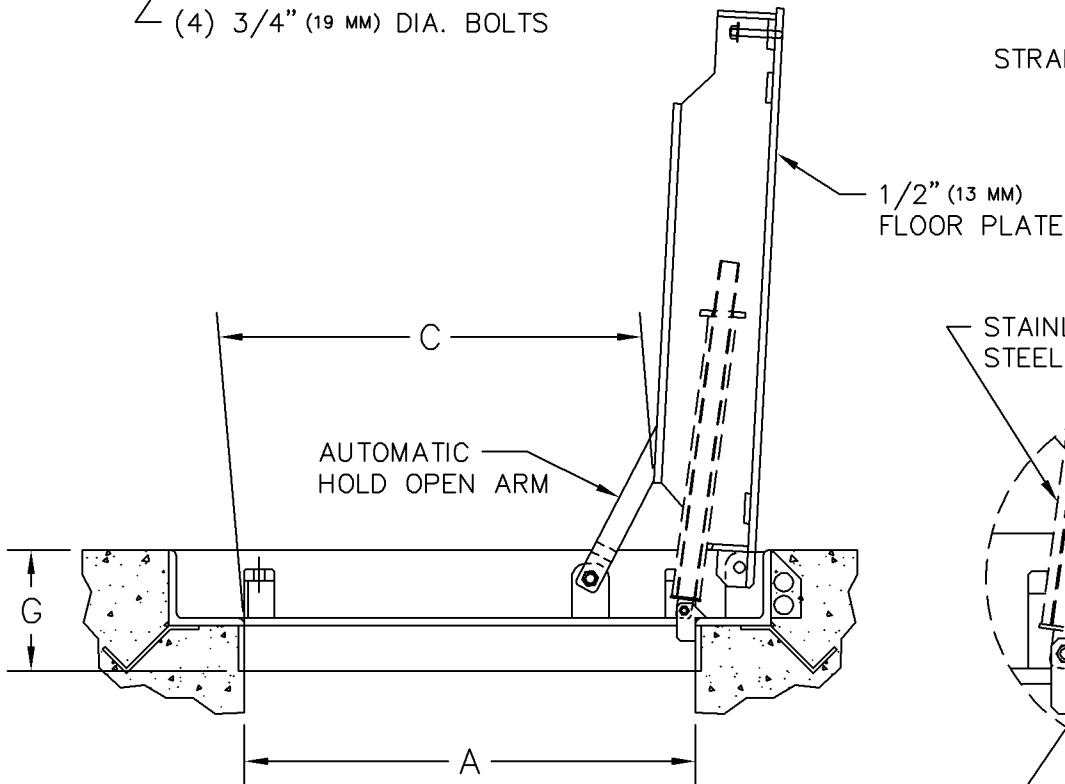


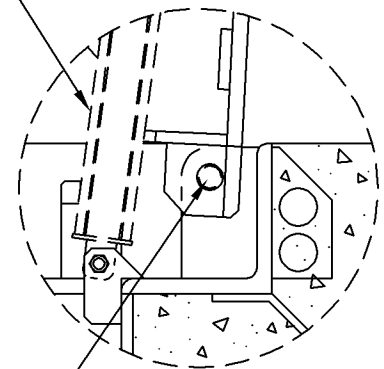
(4) 3/4" (19 MM) DIA. BOLTS



STRAP ANCHORS



STAINLESS STEEL SPRINGS



STAINLESS STEEL HEAVY DUTY TAMPER PROOF HINGES

NOTE:

- 1-MATERIAL: STEEL A36 WITH STEEL A572 OR A588 COVER RIBS, STAINLESS STEEL SPRINGS & HINGES AND 316 STAINLESS STEEL NUTS & BOLTS.
- 2-FINISH: HOT DIP GALVANIZED AFTER FABRICATION.
- 3-ALL WELDS ARE CONTINUOUS.
- 4-DESIGN CRITERIA: LOADING BASED ON A LINEAR REDUCTION FROM 280 PSI FOR 2 FOOT SPANS TO 80 PSI FOR 10 FOOT SPANS.

U.S.F. FABRICATION, INC.
HIALEAH, FLORIDA

ALH $\frac{\quad}{(A)}$ X $\frac{\quad}{(B)}$