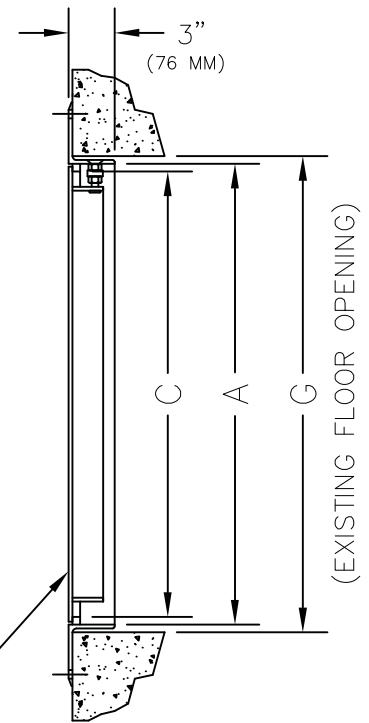
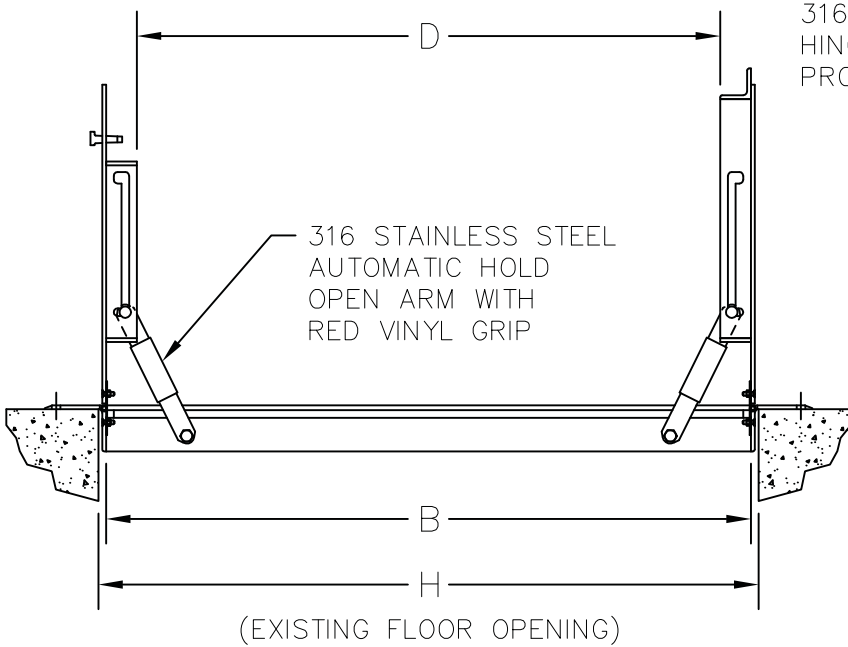


STAPLE FOR PADLOCK

9/16" (14 MM) DIA. MOUNTING HOLES FOR 1/2" (13 MM) DIA. ANCHOR BOLTS (BY OTHERS)

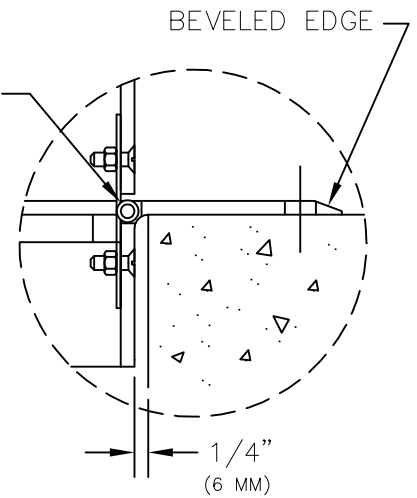


1/4" (6 MM) DIAMOND PLATE



316 STAINLESS STEEL HINGES WITH TAMPER PROOF BOLTS

316 STAINLESS STEEL AUTOMATIC HOLD OPEN ARM WITH RED VINYL GRIP



OPTIONAL FEATURES

- S.S. HORIZONTAL SPRINGS
- S.S. SLAMLOCK
- BITUMINOUS PAINT ON AREA IN CONTACT WITH CONCRETE
- OTHERS: _____

U.S.F. FABRICATION, INC.
HIALEAH, FLORIDA

EXISTING FLOOR OPENING → $\frac{X}{G \quad H}$

APD (300) RETROFIT → $\frac{X}{A (G-1") \quad B (H-1")}$

NOTE:

-MATERIAL: ALUMINUM WITH 316 STAINLESS STEEL NUTS & BOLTS, HINGES, AND HOLD OPEN ARM.
-LOADING: 300 LBS. PER SQ. FOOT. (1464 KG. PER SQ. M)