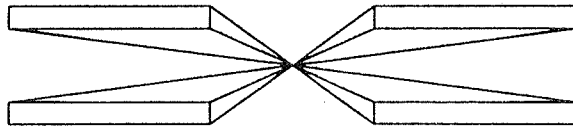


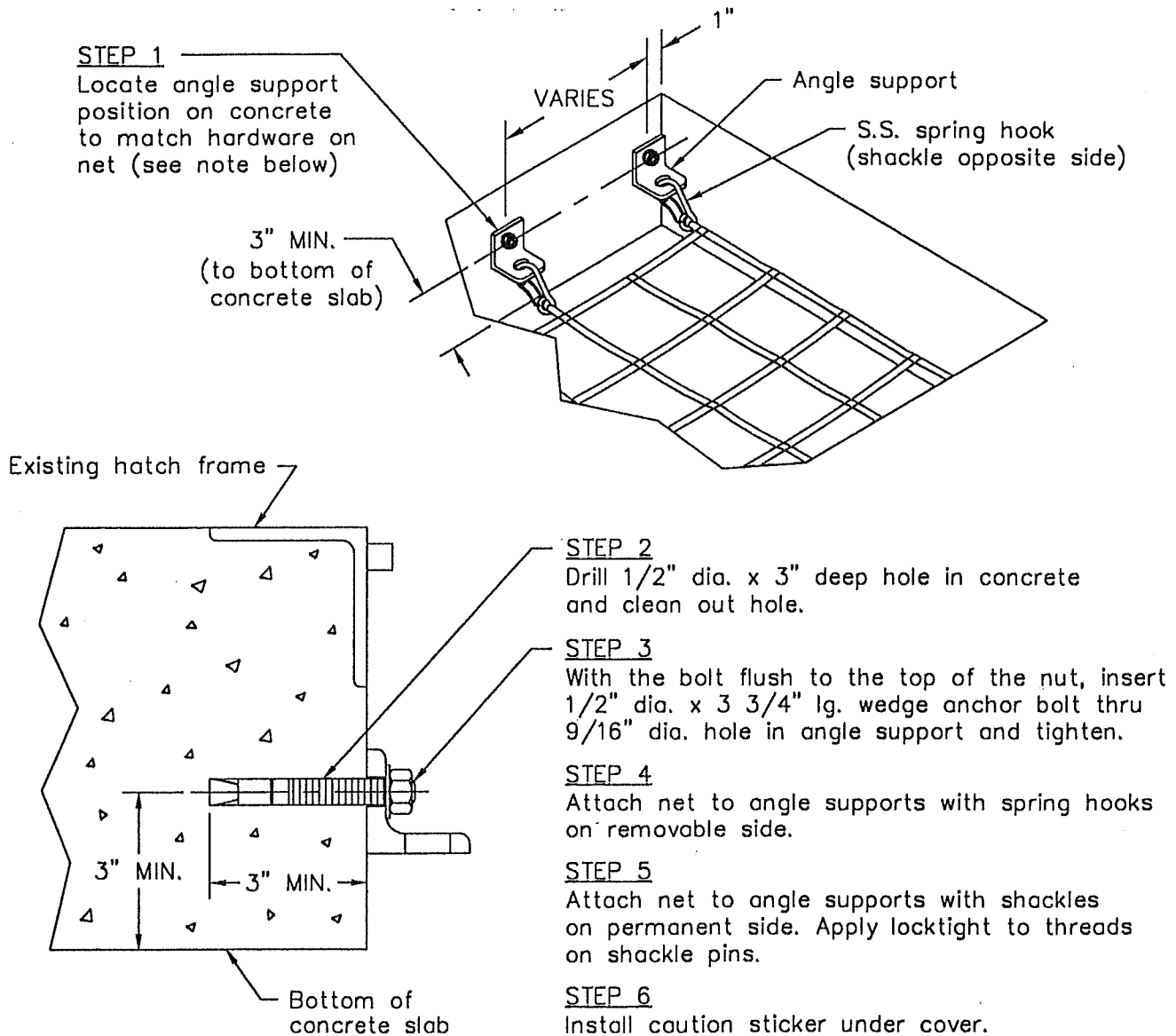
U.S.F. FABRICATION^{INC.}

FLOOR ACCESS DOORS, GRATING & MISCELLANEOUS METAL FABRICATION



HATCH NET RETROFIT INSTALLATION INSTRUCTIONS

The Hatch Net's angle supports shall be installed onto concrete with 1/2" diameter stainless steel wedge anchor bolts.



NOTES:

- 1- Contractor shall be responsible for assuring that the concrete can support the full pullout and shear loads of the anchor bolts supplied with the net.
- 2- U.S.F. Fabrication is not responsible for any loss or damages caused by the net not being installed according to the installation instructions or by using the net in an application other than as a fall prevention device in a floor access door.