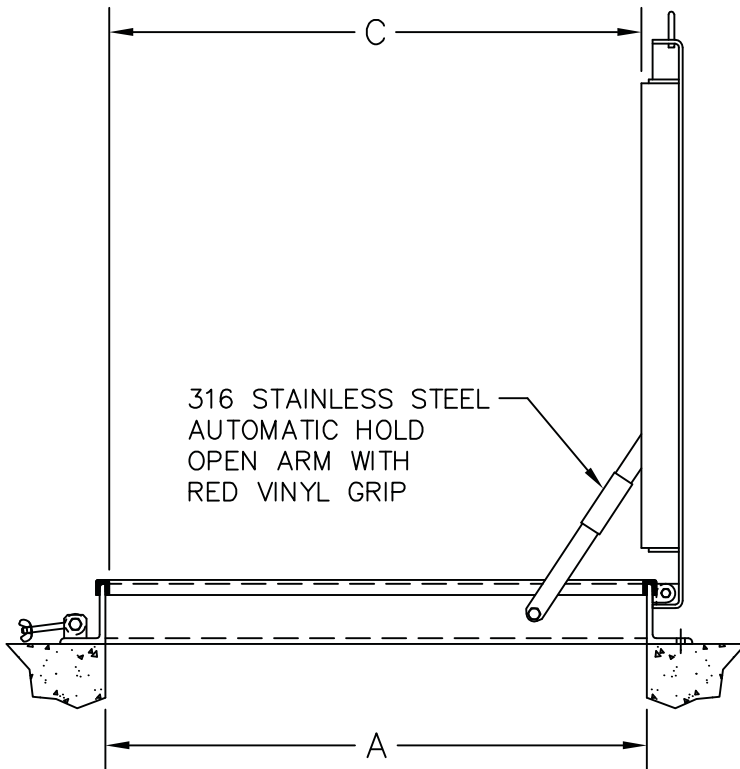
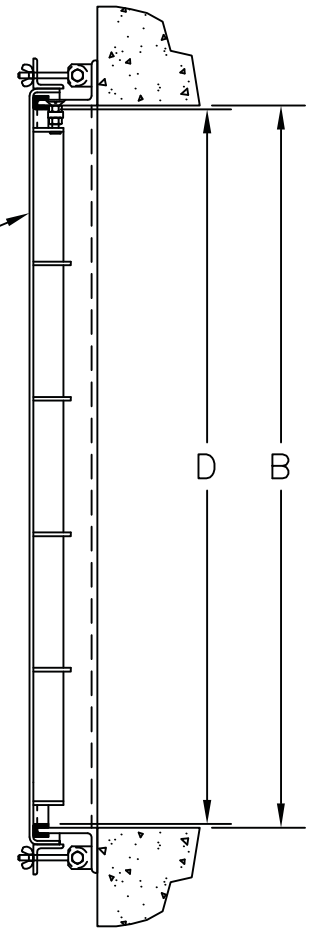


1/4" (6 MM) DIAMOND PLATE

9/16" (14 MM) DIA. MOUNTING HOLES FOR 1/2" (13 MM) DIA. ANCHOR BOLTS (BY OTHERS)



STAINLESS STEEL PRESSURE LOCK SYSTEM

U-SHAPE GASKET

4 X 3 X 3/8 FRAME

3" (76 MM)

OPTIONAL FEATURES

- S.S. HORIZONTAL SPRINGS
- BITUMINOUS PAINT ON AREA IN CONTACT WITH CONCRETE
- OTHERS: _____

U.S.F. FABRICATION, INC.
HIALEAH, FLORIDA

FPS _____ X _____
(A) (B)

NOTE:
-MATERIAL: ALUMINUM WITH 316 STAINLESS STEEL NUTS & BOLTS AND HOLD OPEN ARM.
-LOADING: 625 LBS. PER SQ. FOOT.
(3049 KG. PER SQ. M)