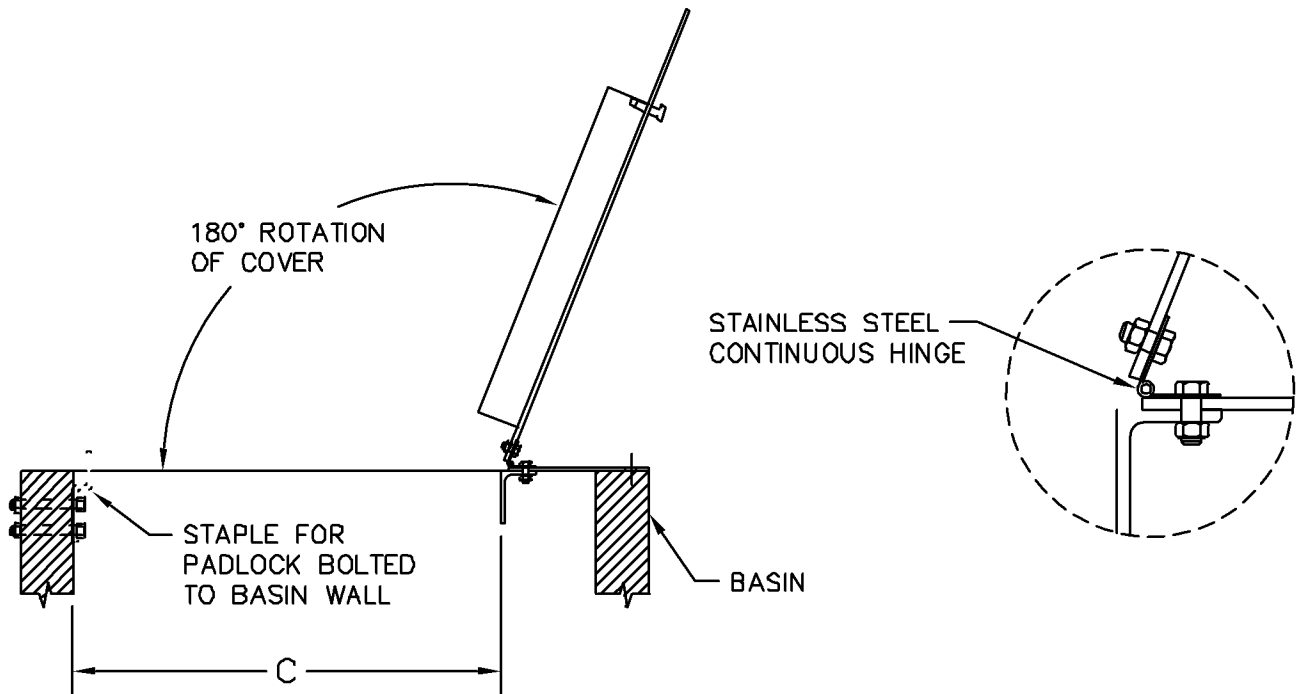


5/8" (16 MM) DIA. MOUNTING HOLES



180° ROTATION OF COVER

STAINLESS STEEL CONTINUOUS HINGE

STAPLE FOR PADLOCK BOLTED TO BASIN WALL

BASIN

C

NOTES:

- 1- MATERIAL: STEEL
- 2- LOADING: 300 LBS. PER SQ. FOOT
(1464 KG. PER SQ. M)
- 3- 316 STAINLESS STEEL HARDWARE AND HINGES

THIS DRAWING IS THE SOLE PROPERTY OF U.S.F. FABRICATION, INC. AND IS FOR ILLUSTRATIVE PURPOSES ONLY

U.S.F. FABRICATION, INC.
HIALEAH, FLORIDA

BPC _____ X _____
(B) I.D. (A) O.D.