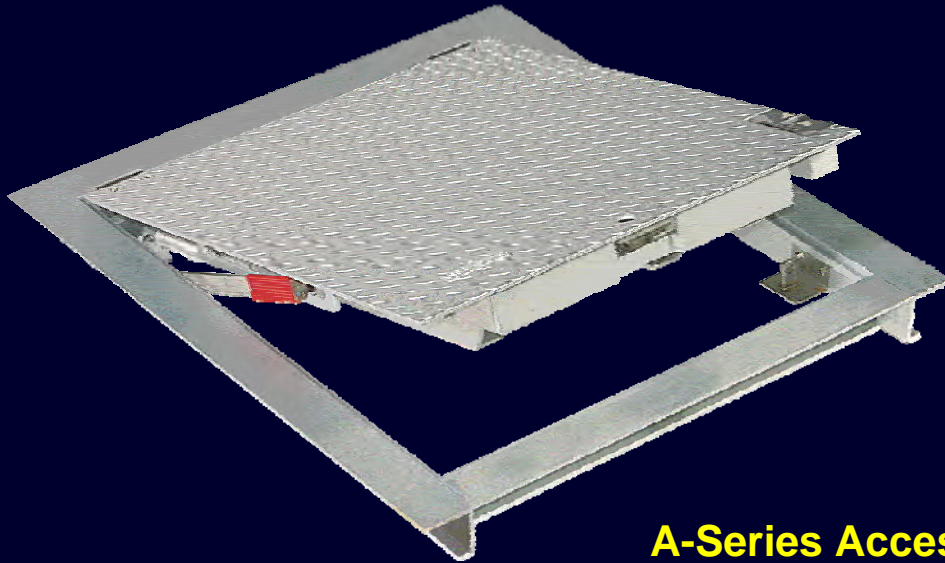


# GENERAL PURPOSE



## A-Series Access Hatches

Angle Frame, Aluminum, Pedestrian or H-20 Vehicle Load Ratings, Single, Double and Multiple Covers. Model AHS shown with Optional Recessed Padlock Hasp.



Specify A-Series angle frame access hatches as the economical, quality solution for sidewalk, floor and utility applications where rainwater control is not a requirement.

*Options include  
hinged safety grate*



*Manufacturing a complete line of engineered metal products for the construction industry, we set the standard for quality, service and innovation. For product specifications and details, visit:*

**[www.usffab.com](http://www.usffab.com)**

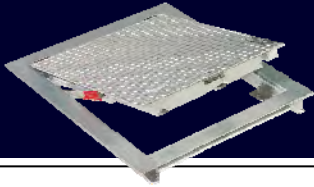


*Manufacturing in the USA since 1916*

U.S.F. Fabrication, Inc., Hialeah, Florida USA 1-800-258-6873 Fax: 305-882-1577 [service@usffab.com](mailto:service@usffab.com)  
Outside USA & Canada: 1-305-364-8221 Fax: 1-305-512-7721 [export@usffab.com](mailto:export@usffab.com)

# A-SERIES GENERAL PURPOSE HATCHES

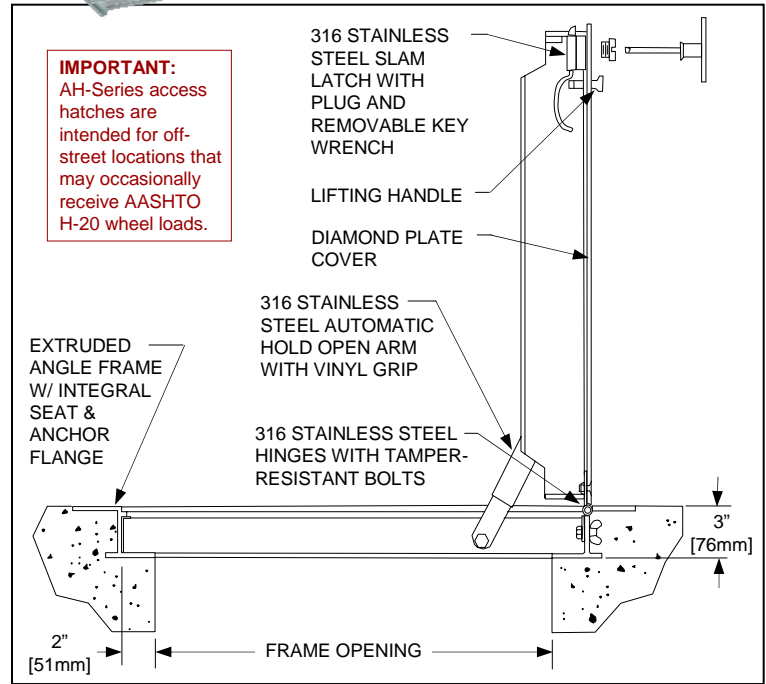
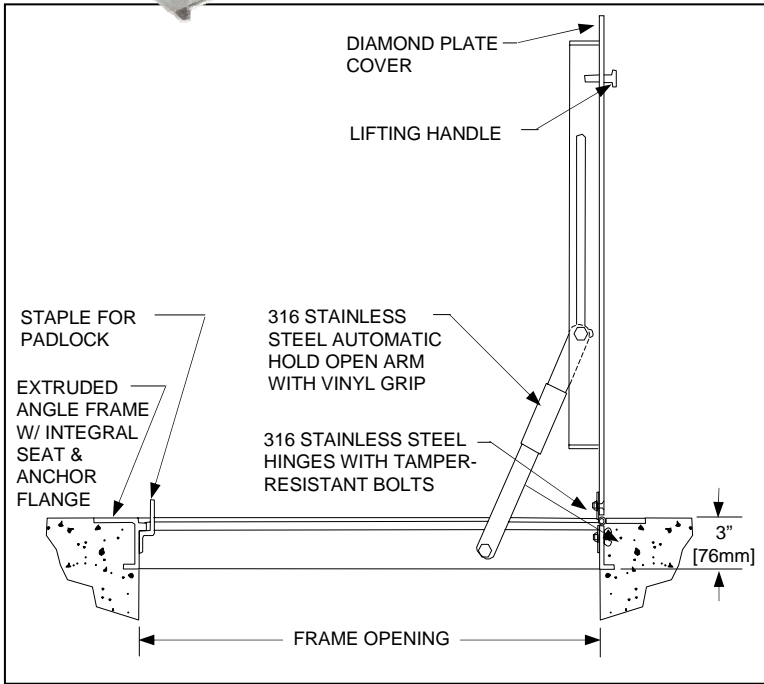
Angle Frame, Aluminum



**Model APS & APD**  
Pedestrian Load Rating



**Model AHS & AHD**  
H-20 Vehicle Load Rating



## SPECIFICATIONS

The access hatch shall be Model (select from chart) as manufactured by U.S.F. Fabrication, Inc., Hialeah, Florida with the size being specified on the plans.

**Cover:** Cover shall be aluminum diamond plate (see chart for plate thickness and load rating). Cover shall be equipped with a flush lifting handle and 316 stainless steel hold-open arm with red vinyl grip that automatically locks the cover in the 90 degree open position.

**Frame:** Frame shall be extruded aluminum with an integral seat and continuous anchor flange on all four sides.

**Hinges:** 316 stainless steel hinges with 316 stainless steel tamper-resistant bolts/locknuts.

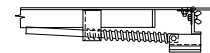
**Latch:** AP hatches shall include a staple for user-supplied padlock. AH hatches shall include a 316 stainless steel slam latch with plug and removable key wrench.

**Finish:** Cover and frame shall be mill finish aluminum. Hardware shall be 316 stainless steel. An adhesive backed vinyl material that protects the product during shipping and installation shall cover the entire top of the frame and cover.

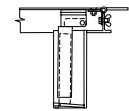
**Installation:** Installation shall be in accordance with the manufacturer's instructions.

**Warranty:** The hatch shall be manufactured in the United States. Manufacturer shall guarantee against defects in materials and workmanship for a period of ten [10] years.

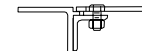
## OPTIONS



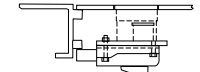
**Horizontal Springs**  
(open or enclosed)



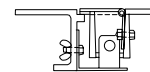
**Bolt-on Vertical Springs**  
(open or enclosed)



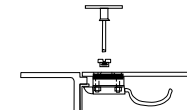
**Bolt Lock**  
(hex or tamper proof)



**Recessed Cylinder Lock**  
(with threaded lid)



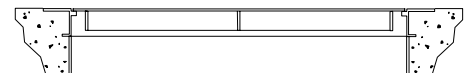
**Recessed Padlock Staple**



**Slam Latch** (stainless, standard on all H-20 models)



**Nut Rail**  
(with sliding nuts)



**Frame Skirt** to match slab thickness for easy precasting



**Hinged Safety Grate**

### Additional Options:

- Bituminous Paint
- Anodized Finish
- Slip Resistant Surface bonded to Cover Plate
- Insulation under Cover
- Safety Chains and Posts

## STANDARD SIZES (Custom sizes and load ratings available. Steel units also available.)

Single Cover	Model APS150	Model APS300	Model AHS
	150 PSF Load Rating 3/16" [5mm] Cover	300 PSF Load Rating 1/4" [6mm] Cover	H-20 Load Rating 1/4" [6mm] Cover
FRAME OPENING Width x Hinge Side In. [mm]	WEIGHT Lbs. [KG]		
24 x 24 [610 x 610]	33 [15]	42 [19]	59 [27]
24 x 30 [610 x 762]	39 [18]	49 [22]	n/a
24 x 36 [610 x 914]	43 [20]	55 [25]	82 [37]
30 x 30 [762 x 762]	45 [20]	57 [26]	82 [37]
30 x 36 [762 x 914]	50 [23]	64 [29]	96 [44]
30 x 48 [762 x 1219]	62 [28]	80 [36]	124 [56]
36 x 36 [914 x 914]	57 [26]	73 [33]	113 [51]
36 x 48 [914 x 1219]	71 [32]	92 [42]	n/a
42 x 42 [1067 x 1067]	73 [33]	94 [43]	n/a

Double Cover	Model APD150	Model APD300	Model AHD
	150 PSF Load Rating 3/16" [6mm] Cover	300 PSF Load Rating 1/4" [6mm] Cover	H-20 Load Rating 1/4" [6mm] Cover
FRAME OPENING Width x Hinge Side In. [mm]	WEIGHT Lbs. [KG]		
30 x 48 [762 x 1219]	69 [31]	86 [39]	133 [60]
30 x 54 [762 x 1372]	75 [34]	94 [43]	153 [69]
36 x 48 [914 x 1219]	78 [35]	98 [44]	157 [71]
36 x 60 [914 x 1524]	92 [42]	117 [53]	192 [87]
42 x 48 [1067 x 1219]	87 [39]	110 [50]	191 [87]
48 x 48 [1219 x 1219]	96 [44]	123 [56]	213 [97]
48 x 54 [1219 x 1372]	107 [49]	133 [60]	249 [113]
48 x 72 [1219 x 1829]	133 [60]	170 [77]	310 [141]
60 x 60 [1524 x 1524]	140 [64]	177 [80]	377 [171]

U.S.F. Fabrication, Inc., Hialeah, Florida USA 1-800-258-6873 Fax: 305-882-1577 Web: usffab.com Email: service@usffab.com  
Outside USA & Canada: 1-305-364-8221 Fax: 1-305-512-7721 Email: export@usffab.com

