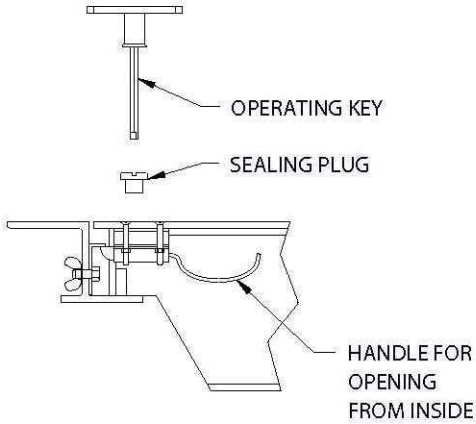
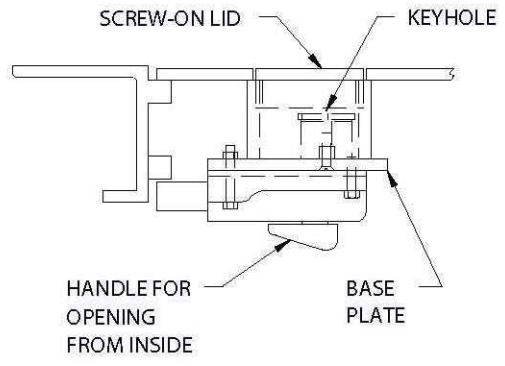


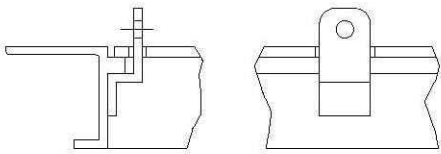
LOCKING DEVICES



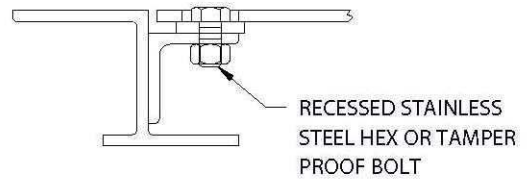
STAINLESS STEEL SLAMLOCK



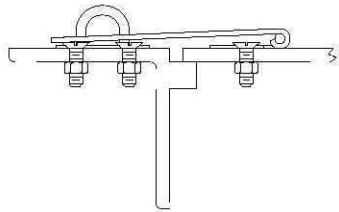
RECESSED CYLINDER LOCK



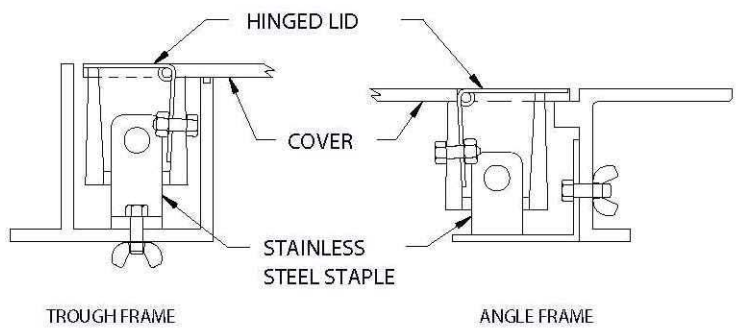
STAPLE FOR PADLOCK



BOLT LOCK



STAINLESS STEEL HASP & STAPLE



RECESSED STAPLE FOR PADLOCK (OVERSIZED TYPES ALSO AVAILABLE)