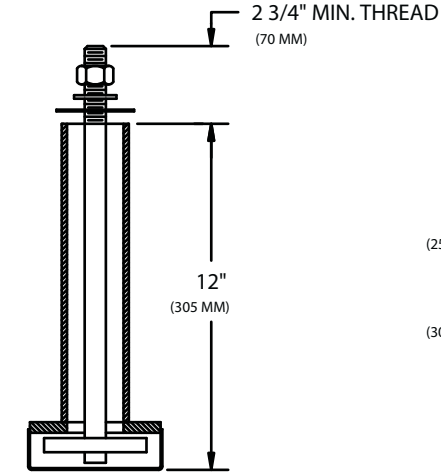
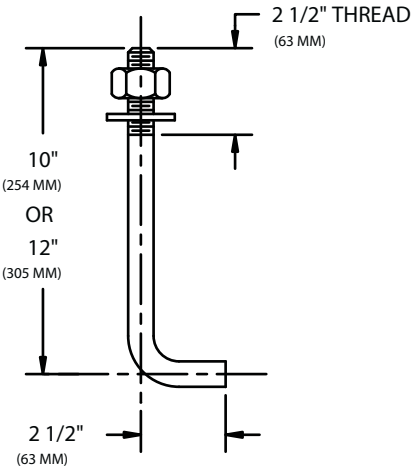


# ANCHOR BOLTS

U.S.F. Fabrication uses stainless steel 316 alloy as standard material for anchoring hardware.



ADJUSTABLE  
ANCHOR BOLT



J-BOLT

ANCHOR BOLTS
ADJUSTABLE
<input type="checkbox"/> 3/4" DIAMETER
<input type="checkbox"/> 1" DIAMETER
J-BOLT
<input type="checkbox"/> 5/8" DIA. X 10" LG.
<input type="checkbox"/> 3/4" DIA. X 10" LG.
<input type="checkbox"/> 5/8" DIA. X 12" LG.
<input type="checkbox"/> 3/4" DIA. X 12" LG.