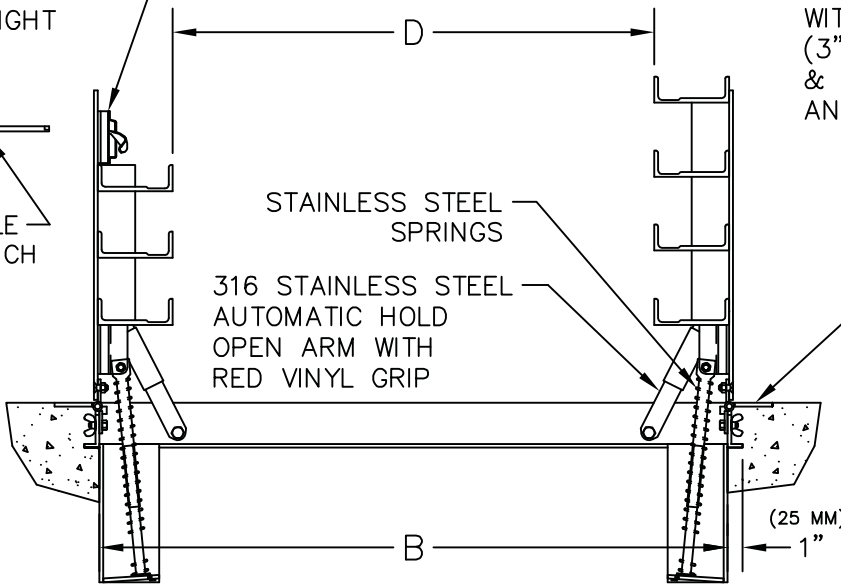


316 STAINLESS STEEL SLAMLOCK

WATERTIGHT PLUG

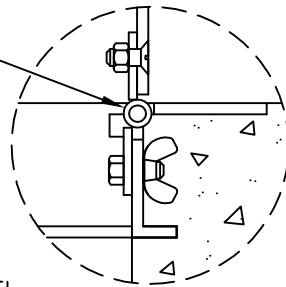
REMOVABLE KEY WRENCH



EXTRUDED ANGLE FRAME WITH INTEGRAL 2" (51 MM) SEAT (3" (76 MM) OPPOSITE SIDE) & CONTINUOUS 1" (25 MM) ANCHOR FLANGE

EXTRUDED ANGLE FRAME WITH INTEGRAL SEAT & CONTINUOUS ANCHOR FLANGE

HEAVY DUTY 316 STAINLESS STEEL HINGES WITH TAMPER PROOF BOLTS



NOTE:

- MATERIAL: ALUMINUM WITH STAINLESS STEEL SPRINGS, 316 STAINLESS STEEL NUTS & BOLTS, HINGES, AND HOLD OPEN ARM.
- LOADING: DESIGNED FOR OFF-STREET LOCATIONS WHICH MAY OCCASIONALLY RECEIVE H-20 WHEEL LOADS.
- BITUMINOUS COATING IS APPLIED TO AREA OF FRAME IN CONTACT WITH CONCRETE.

OPTIONAL FEATURES

- RECESSED STAPLE FOR PADLOCK
- OTHERS: _____

U.S.F. FABRICATION, INC.
HIALEAH, FLORIDA

AHD _____ X _____
(A) (B)