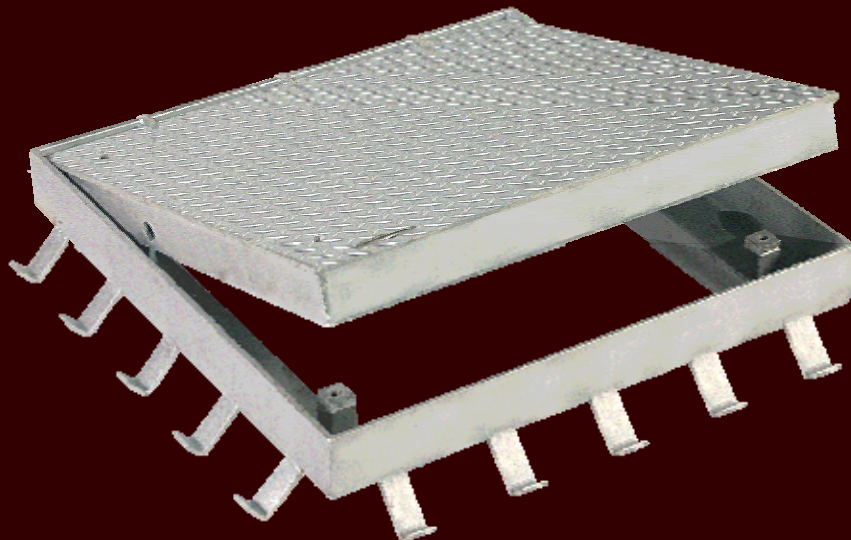


# EXTREME LOADING



## Model ALH Access Hatch

Reinforced to withstand wheel loads up to 280 psi [19.7 kg/cm<sup>2</sup>]



Designed for airports, container ports, freight yards and other areas traversed by heavy vehicles, the ALH access hatch withstands extreme wheel loads and is engineered for fast, easy access to underground utilities.

*To balance its massive structural reinforcing, the ALH has powerful compression springs for smooth, easy operation.*



*Manufacturing a complete line of engineered metal products for the construction industry, we set the standard for quality, service and innovation. For product specifications and details, visit:*

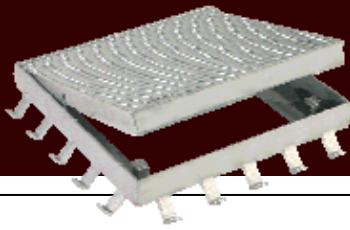
**[www.usffab.com](http://www.usffab.com)**



*Manufacturing in the USA since 1916*

U.S.F. Fabrication, Inc., Hialeah, Florida USA 1-800-258-6873 Fax: 305-882-1577 [service@usffab.com](mailto:service@usffab.com)  
Outside USA & Canada, 1-305-364-8221 Fax: 1-305-512-7721 [export@usffab.com](mailto:export@usffab.com)

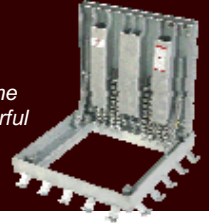
# ALH EXTREME LOAD-RATED HATCH



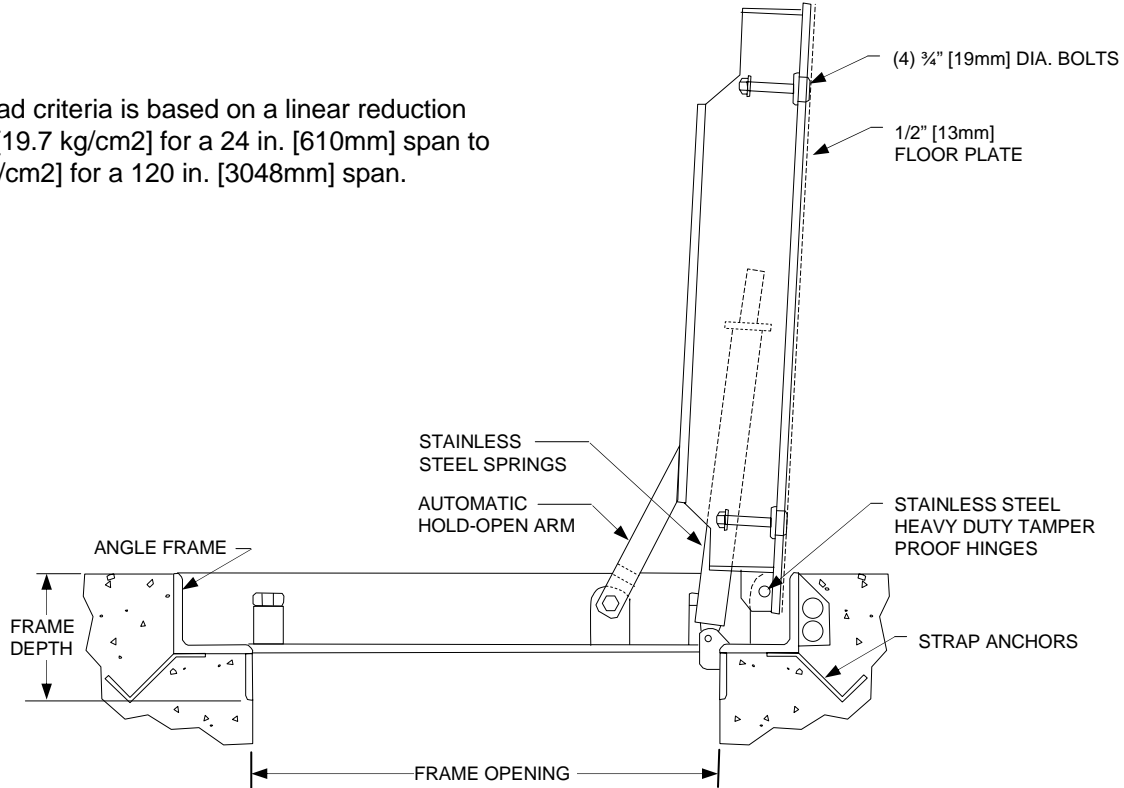
## Model ALH

Reinforced to withstand wheel loads up to 280 psi [19.7 kg/cm<sup>2</sup>]

*In addition to its massive structural reinforcements, the ALH is equipped with powerful compression springs for smooth, easy operation.*



Important: Load criteria is based on a linear reduction from 280 psi [19.7 kg/cm<sup>2</sup>] for a 24 in. [610mm] span to 80 psi [5.6 kg/cm<sup>2</sup>] for a 120 in. [3048mm] span.



## SPECIFICATIONS

The access hatch shall be model ALH as manufactured by U.S.F. Fabrication, Inc., Hialeah, Florida USA with the size being specified on the plans.

**Cover:** Cover shall be 1/2" [13mm] ASTM A36 structural steel diamond plate reinforced with ASTM A572 or A588 structural steel. All welds shall be continuous. Hatches with reinforcing rib spans of up to 24" [610mm] shall be designed to carry a maximum live load of 280 psi uniformly distributed over the entire cover. For hatches with rib spans of over 24" [610mm], the load shall decrease linearly by 25 psi [1.76 kg/cm<sup>2</sup>] per foot. Cover shall be equipped with a flush steel lifting handle that does not protrude above the cover, and steel automatic hold open arm and door stops to automatically lock the cover in the open position.

**Frame:** Frame shall be 3/8" [9.5mm] angle with 1/4" x 2" [6.3mm x 51mm] anchor straps welded at 9" [229mm] on center around the perimeter of the frame.

**Hinges:** Hinges shall be 316 stainless steel, tamper resistant.

**Springs:** Springs shall be stainless steel compression springs.

**Latch:** 3/4" [19mm] diameter stainless steel bolts.

**Material / Finish:** Cover and frame shall be hot dip galvanized steel. Hardware shall be 316 stainless steel.

**Installation:** Installation shall be in accordance with the manufacturer's instructions.

**Warranty:** Door shall be manufactured in the United States. Manufacturer shall guarantee the unit against defects in materials and workmanship for a period of five [5] years.

## STANDARD SIZES (custom sizes available)

| FRAME OPENING<br>Width x Hinge Side<br>In [mm] | FRAME DEPTH<br>In [mm] | WEIGHT<br>Lbs [KG] |
|--|------------------------|--------------------|
| 24 x 24 [610 x 610]                            | 7 [178]                | 490 [222]          |
| 24 x 36 [610 x 914]                            | 7 [178]                | 630 [286]          |
| 30 x 30 [762 x 762]                            | 7 [178]                | 685 [311]          |
| 30 x 36 [762 x 914]                            | 8 [203]                | 800 [363]          |
| 30 x 48 [762 x 1219]                           | 8 [203]                | 985 [447]          |
| 36 x 36 [914 x 914]                            | 8 [203]                | 920 [417]          |
| 48 x 48 [1219 x 1219]*                         | 7 [178]                | 1750 [794]         |

\* this size is manufactured with double covers and vertical springs

## OPTIONS

- Frame skirts for easy casting into a concrete top slab
- Slip Resistant surface bonded to cover plate
- Fall through prevention systems
- Custom lettering

**U.S.F. Fabrication, Inc. USA** [www.usffab.com](http://www.usffab.com) 1-800-258-6873 Fax: 1-305-882-1577 [service@usffab.com](mailto:service@usffab.com)  
Outside USA & Canada 1-305-364-8221 Fax: 1-305-512-7721 [export@usffab.com](mailto:export@usffab.com)

