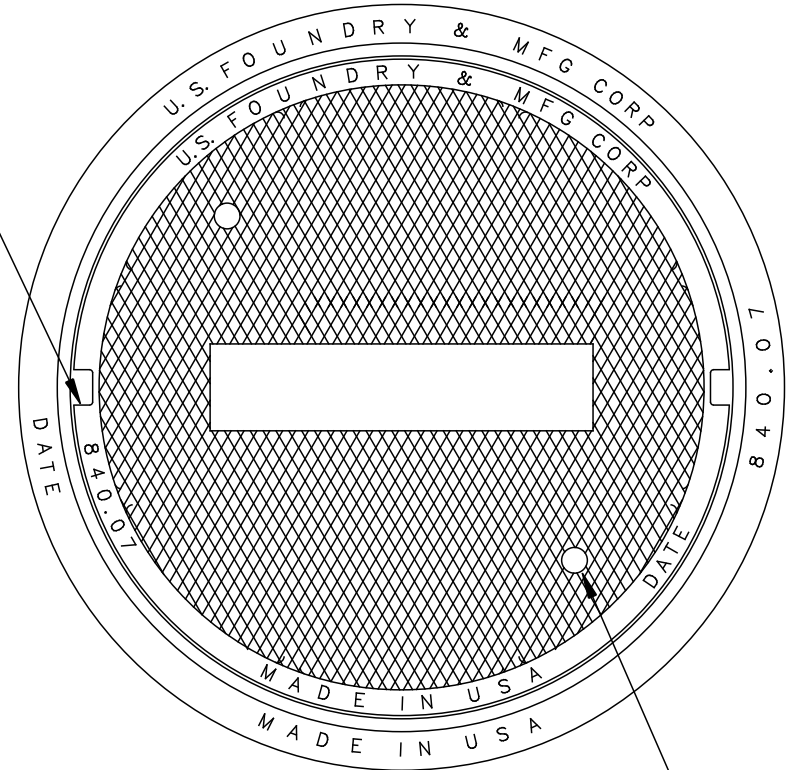
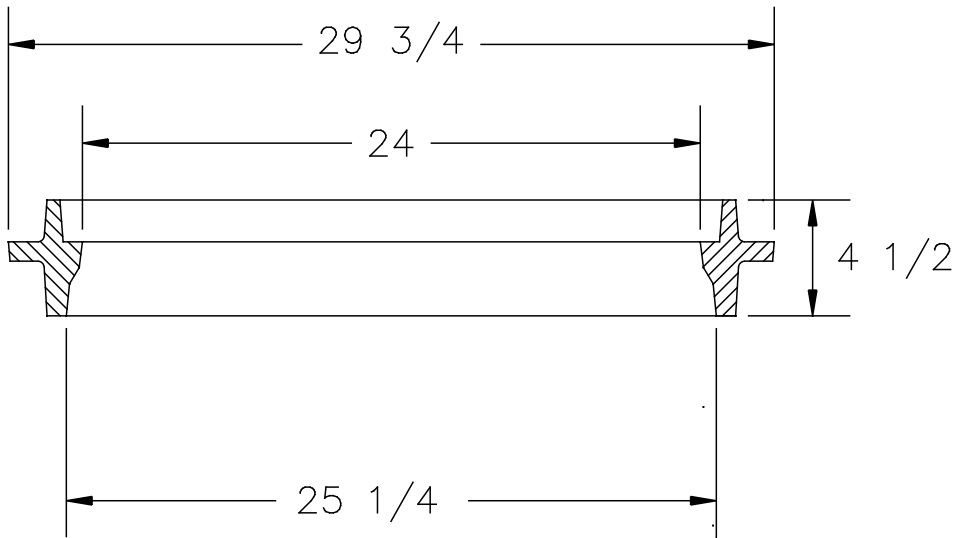
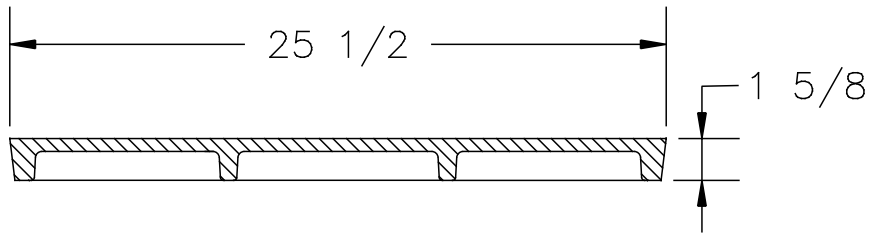


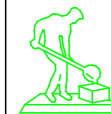
(2)– PENETRATING PICKHOLE



(2)– 1" DIA. VENTHOLES

NOTES:

- 1– MATERIAL: ASTM–A48 CLASS 35B GRAY IRON.
- 2– RING WT: 90 LBS. APP.
- 3– COVER WT: 100 LBS. APP.
- 4–LOADING: LIGHT DUTY



U.S. FOUNDRY & MFG. CORP.
 MEDLEY, FLORIDA

USF 1160 RING & BT COVER

| | | |
|--------------|----------------|--------------|
| DWN. BY: DBB | SCALE: 1/8"=1" | DATE: 2/4/98 |
| CHK. BY: | DWG. NO: A4003 | REV: |