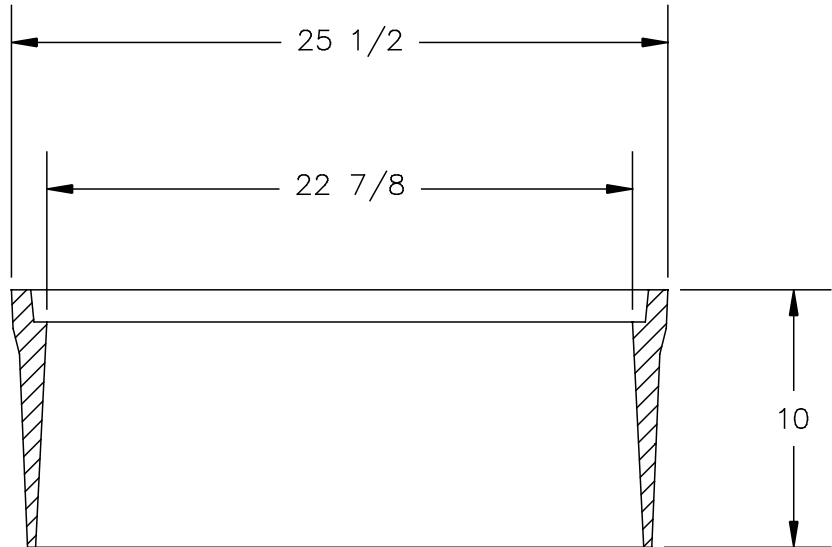
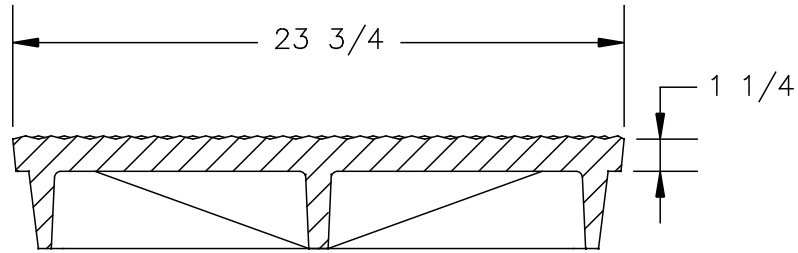
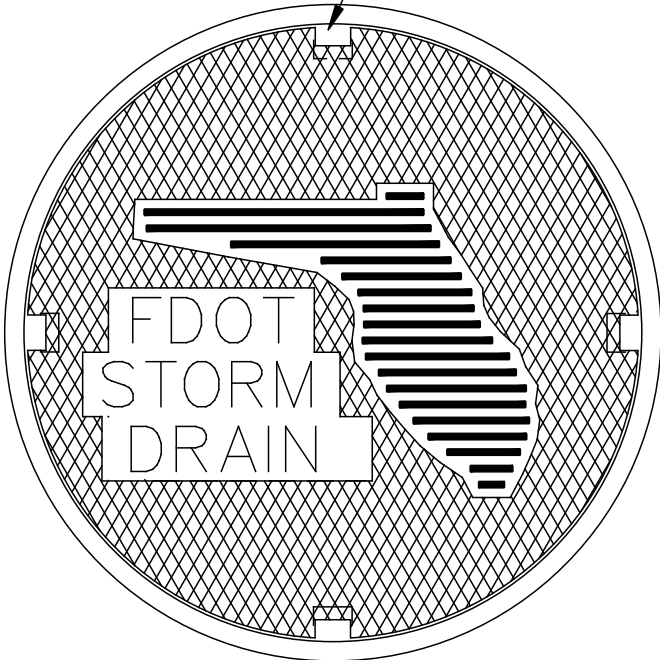


(4) PENETRATING
PICKHOLES @ 90° APART



NOTES:

- 1- MATERIAL: ASTM-A48 CLASS 35B GRAY IRON
- 2- RING WT: 145 LBS. APP.
- 3- COVER WT: 190 LBS. APP.



U.S. FOUNDRY & MFG. CORP.
MEDLEY, FLORIDA

USF 1182 RING & XB COVER

DWN. BY: PCS	SCALE: 1/8"=1"	DATE: 8/01/94
CHK. BY:	DWG. NO: A3172	REV: